

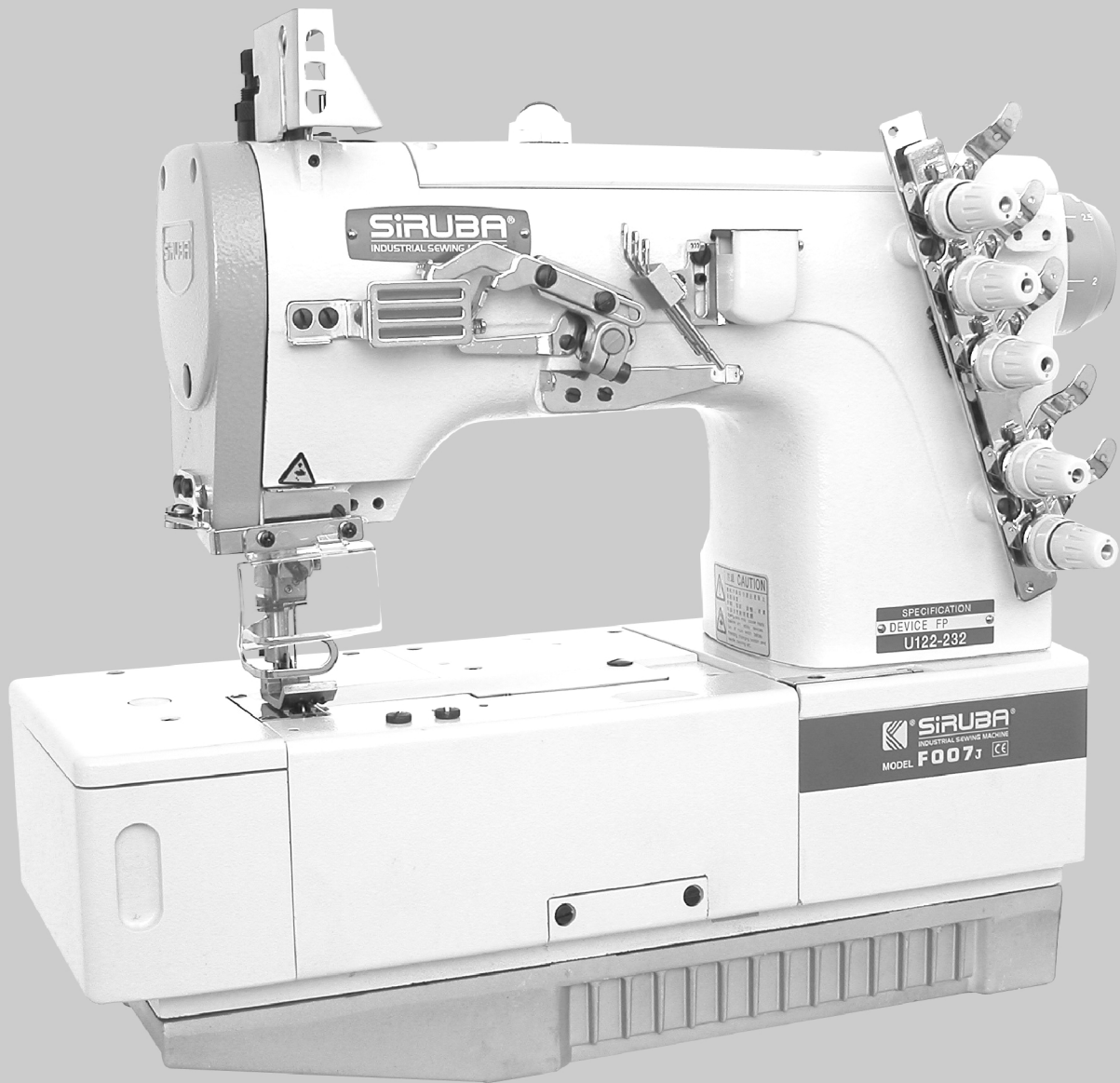
SIRUBA®

銀箭牌工業用縫紉機

INDUSTRIAL SEWING MACHINE

F007J/JD ATTACHMENT

輔助件零件圖 AUXILIARY PARTS LIST



From the library of: Diamond Needle Corp

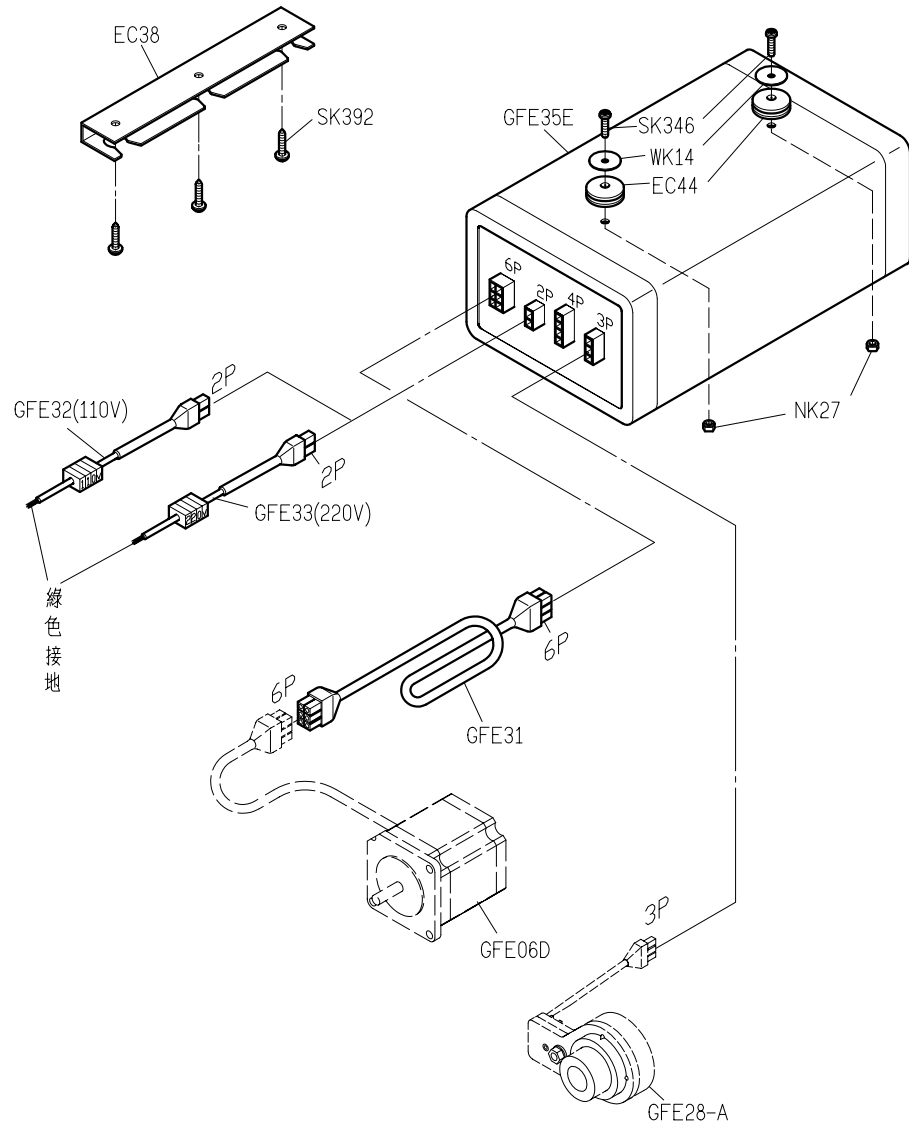
CE



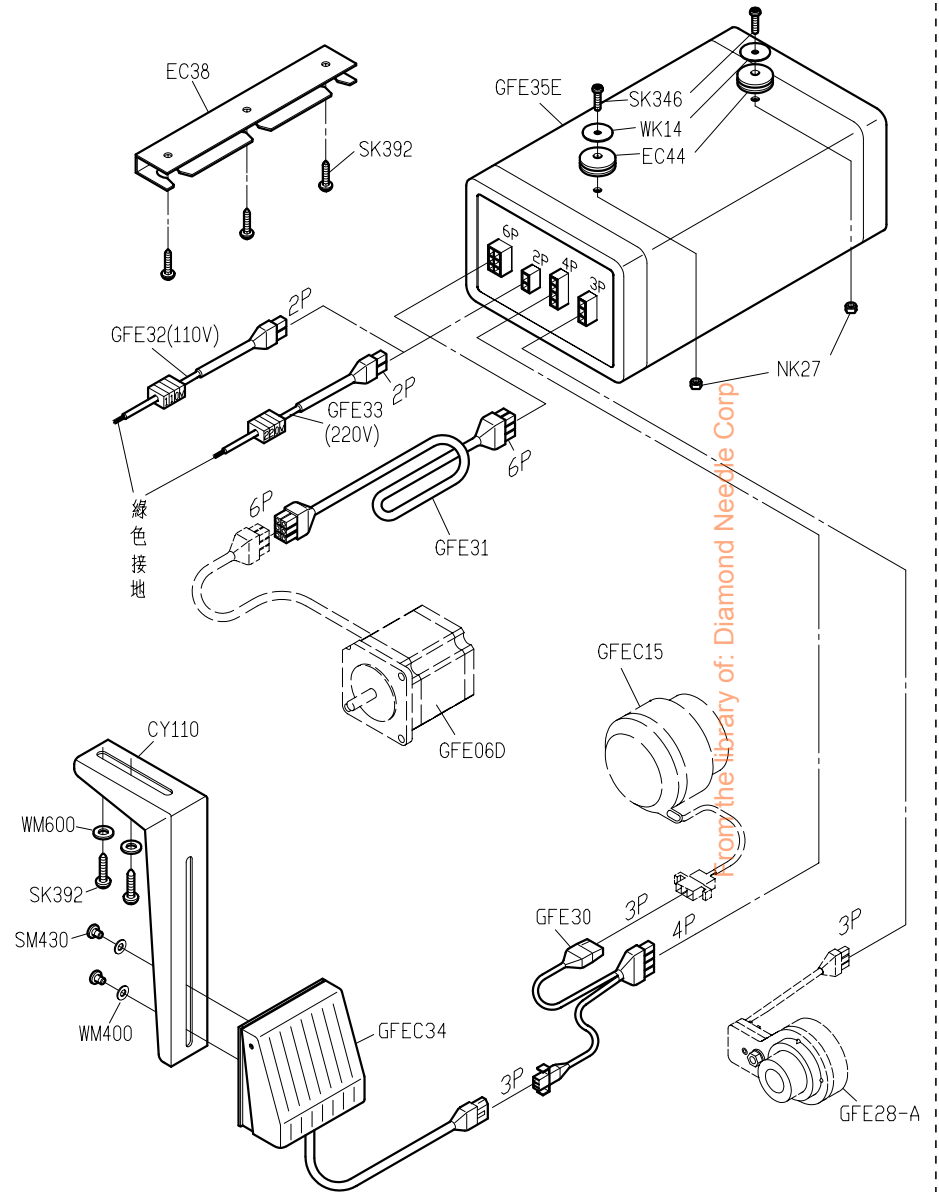
高林股份有限公司
KAULIN MFG. CO., LTD.

PARTS LIST FOR FE (2) GROUP

PARTS LIST FOR FE/FEC GROUP

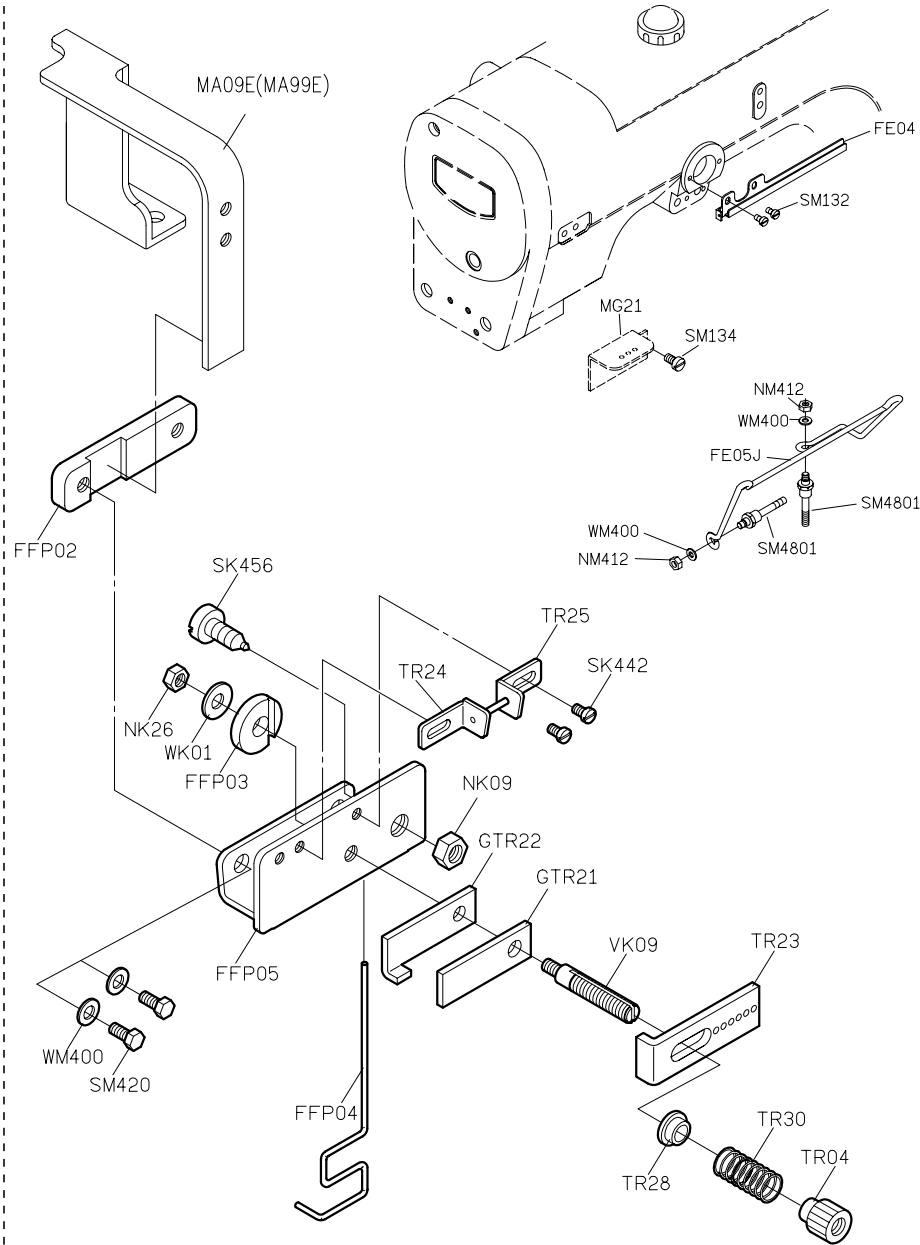


FOR F007J/F007JD



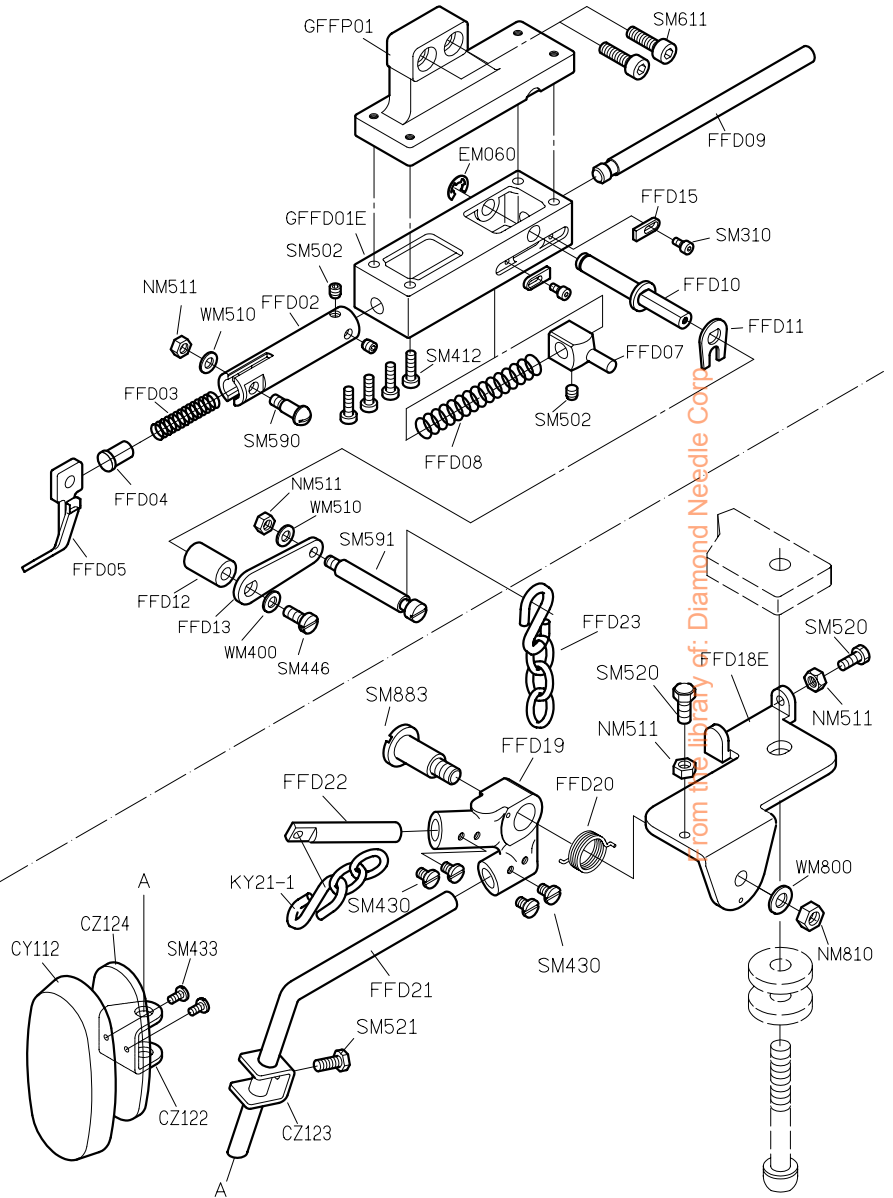
FOR F007J/F007JD

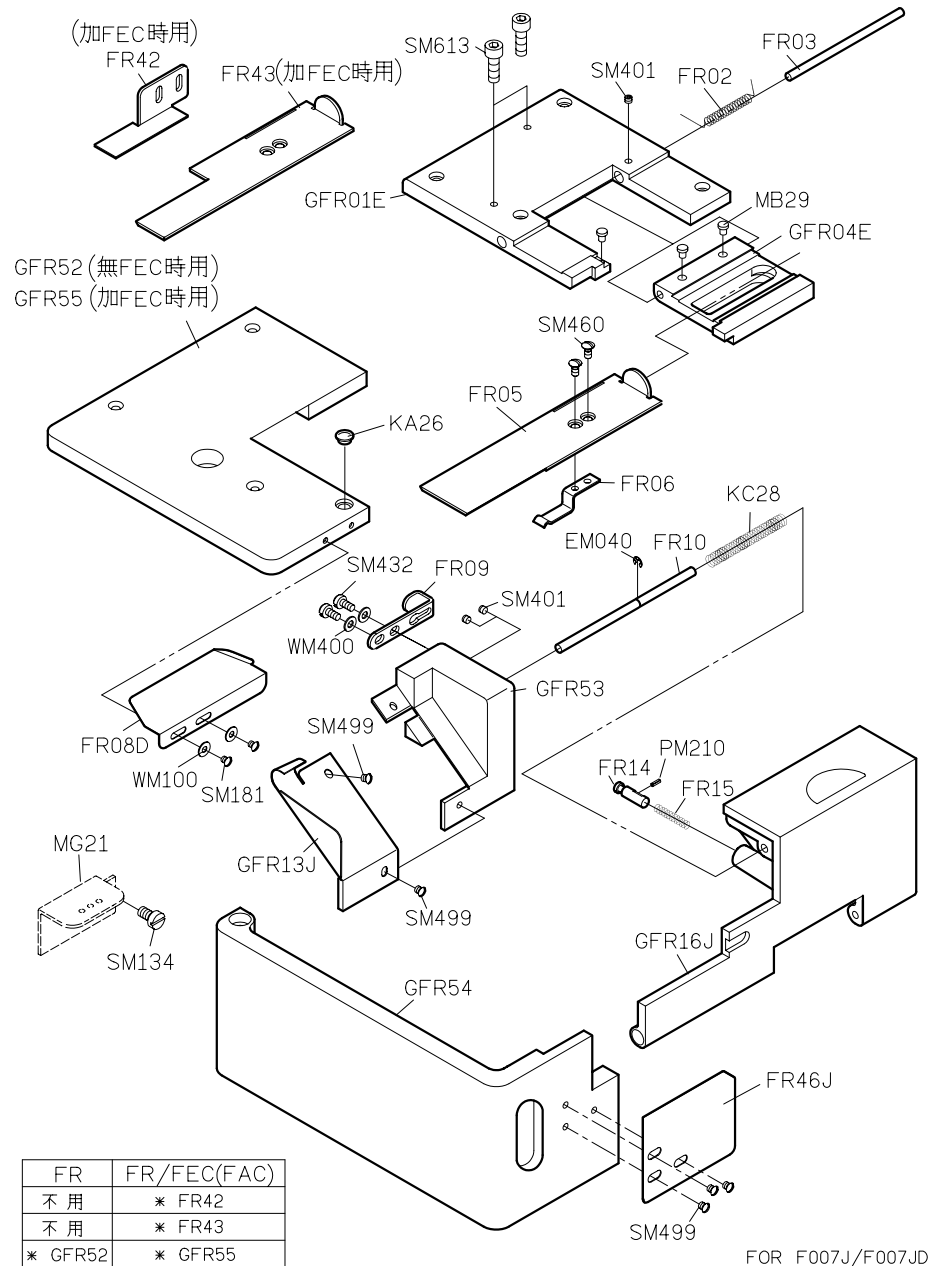
From the library of: Diamond Needle Corp



FOR F007J/F007JD

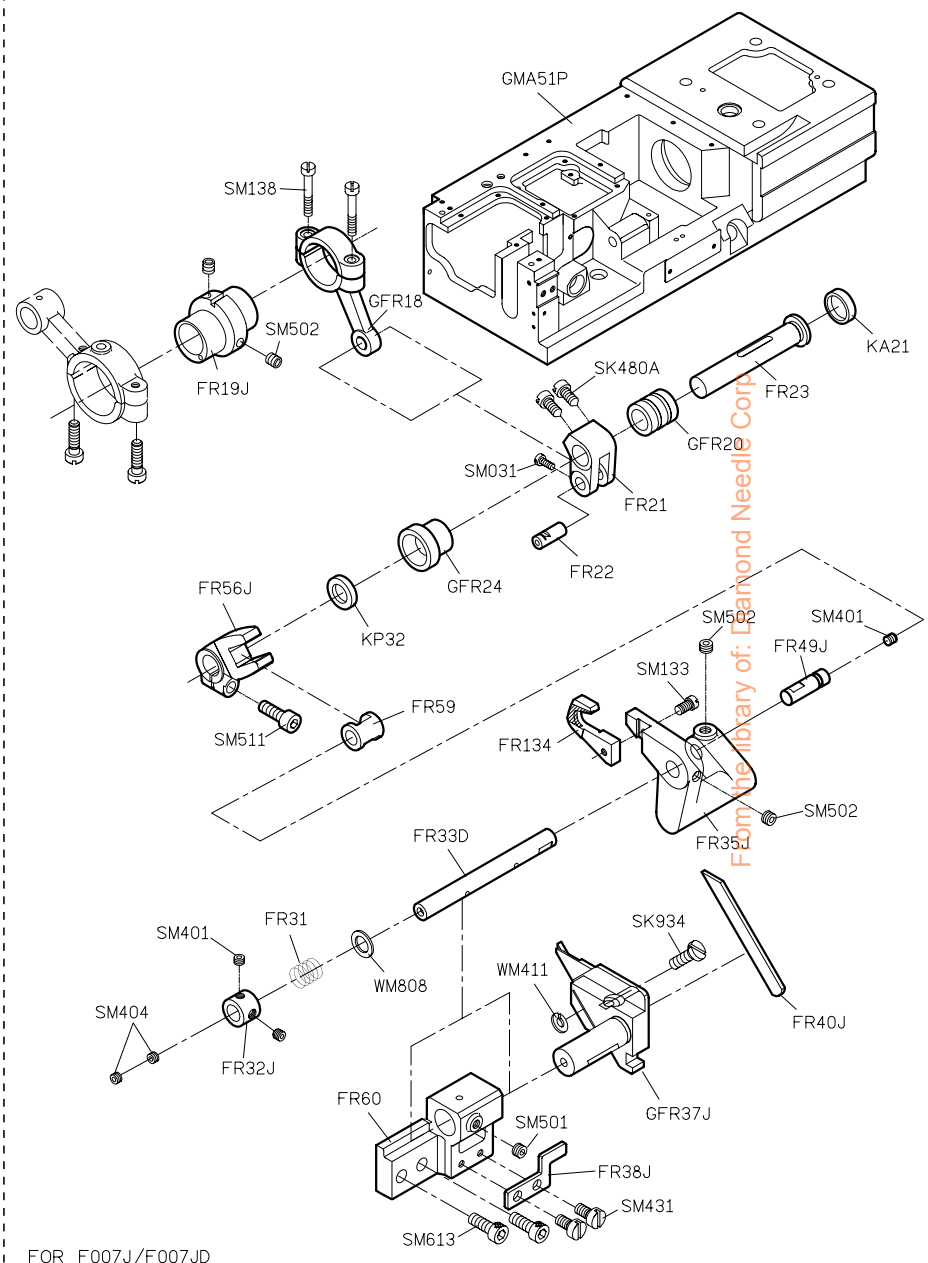
PARTS LIST FOR FFP (1) GROUP





FR	FR/FEC(FAC)
不用	* FR42
不用	* FR43
* GFR52	* GFR55

FOR F007J/F007JD



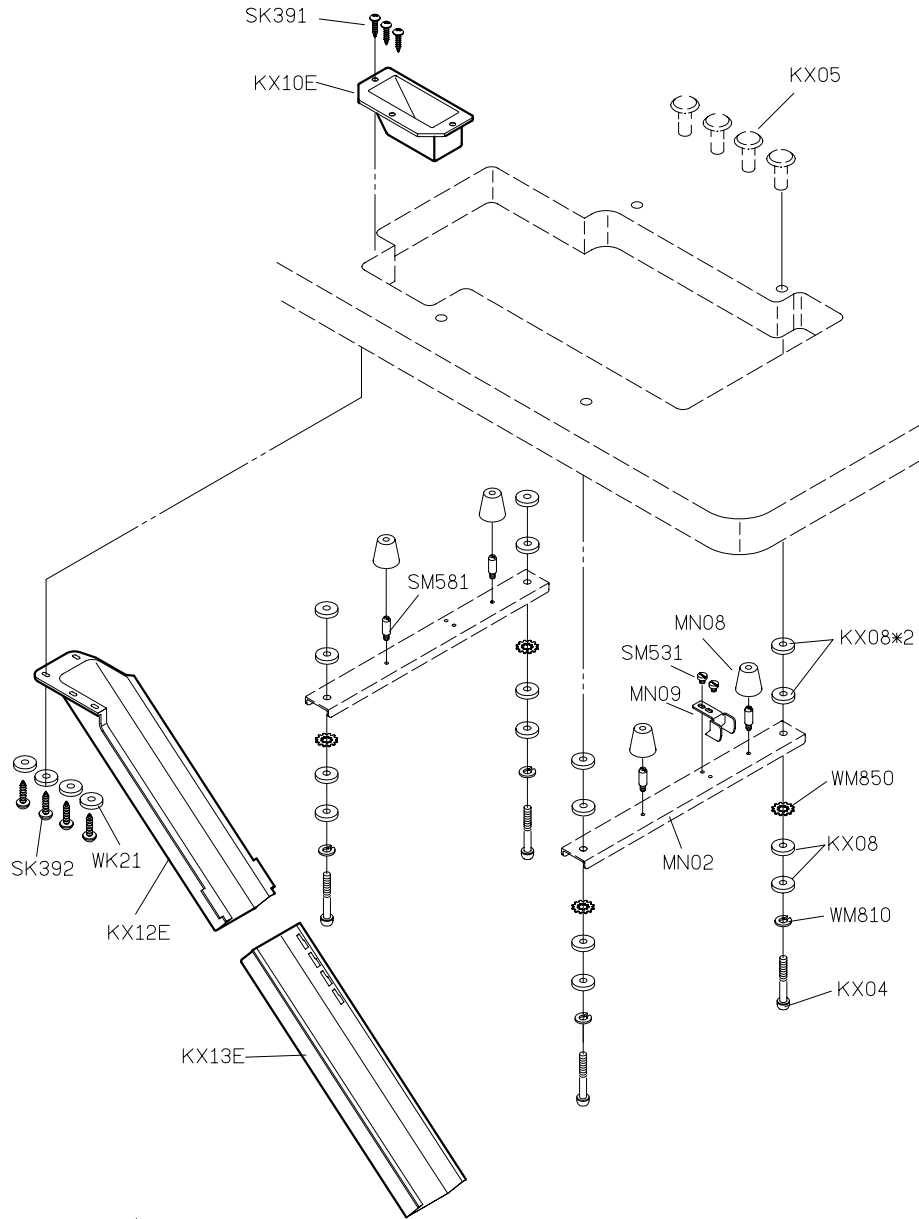
FOR F007J/F007JD

PARTS LIST FOR FR (1) GROUP

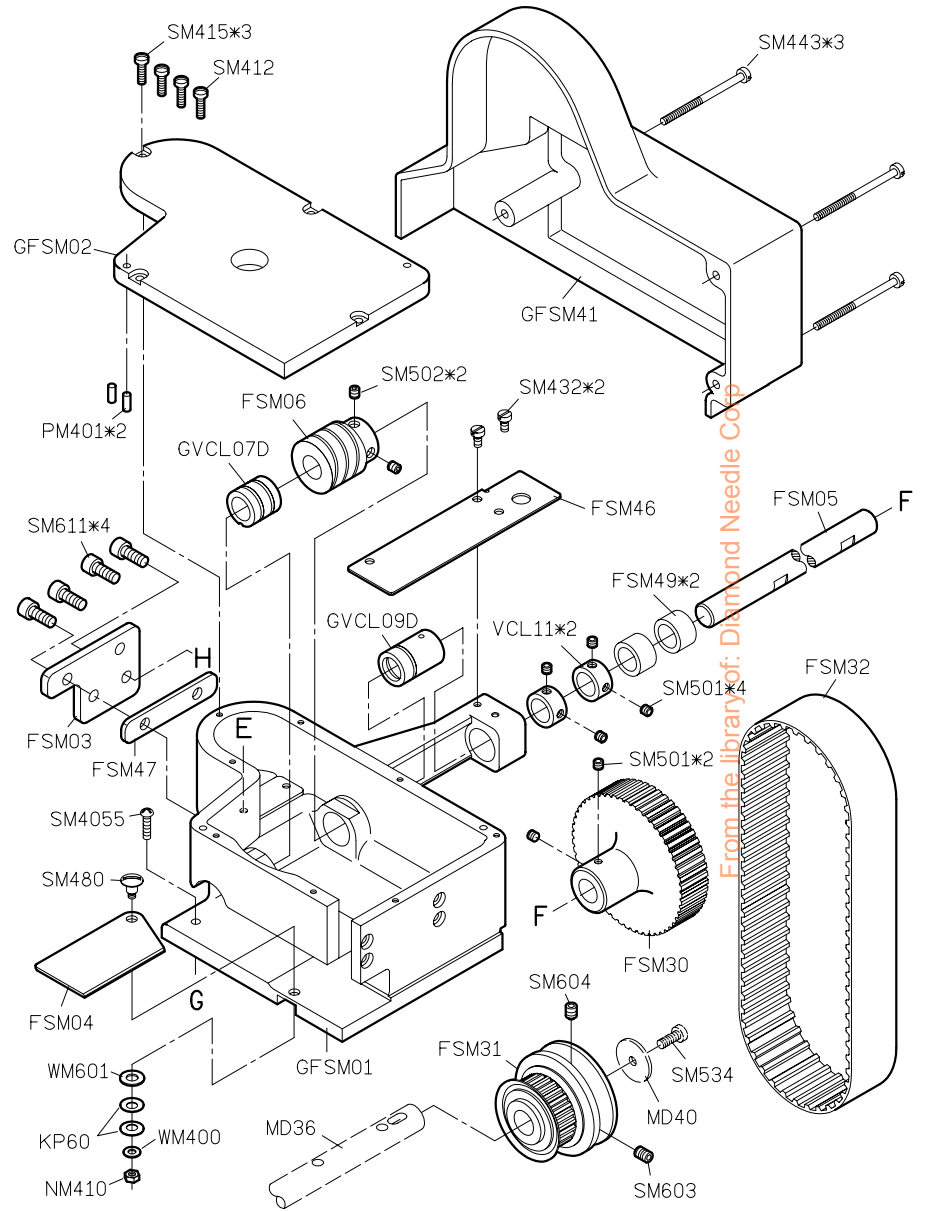
PARTS LIST FOR FR (2) GROUP

PARTS LIST FOR FR (3) GROUP

PARTS LIST FOR FSM (1) GROUP

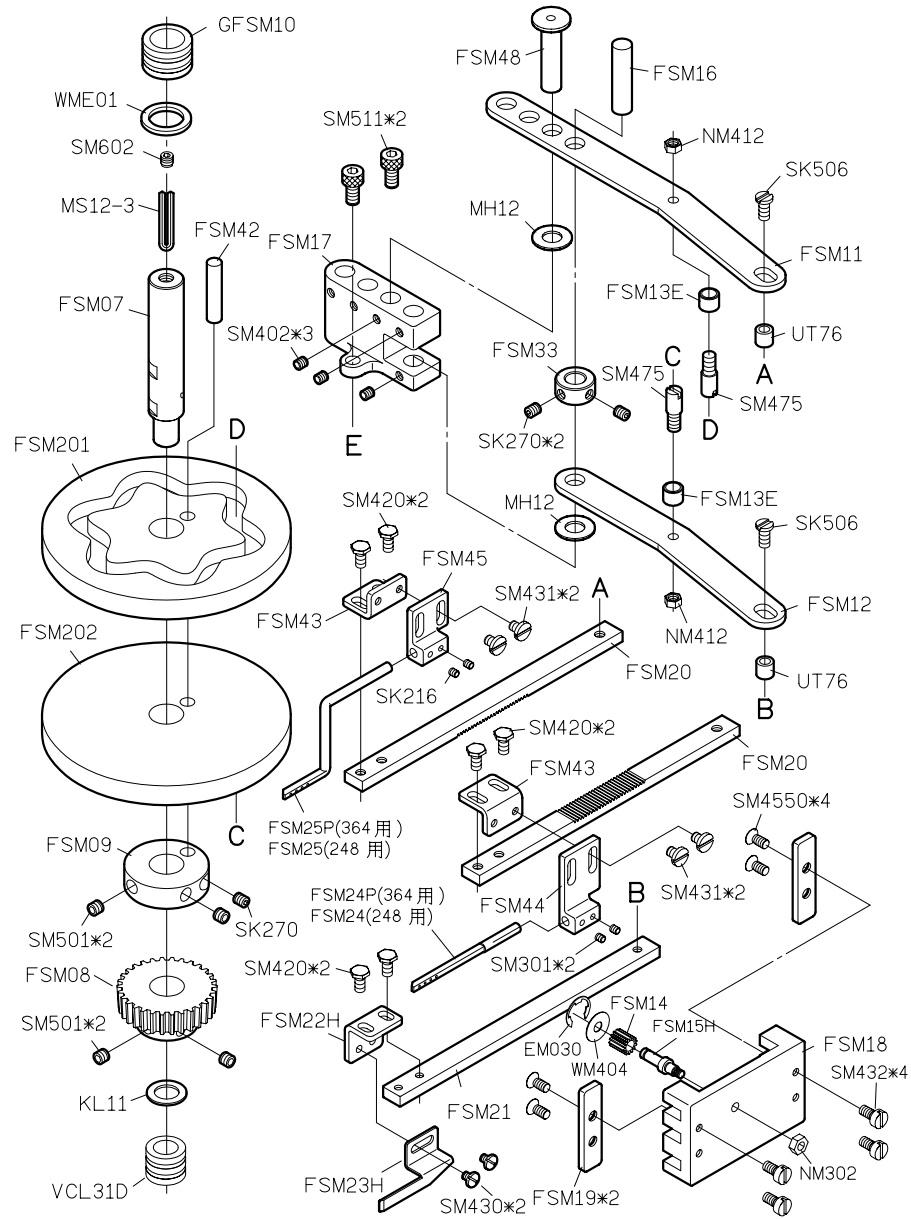


FOR F007J/F007JD



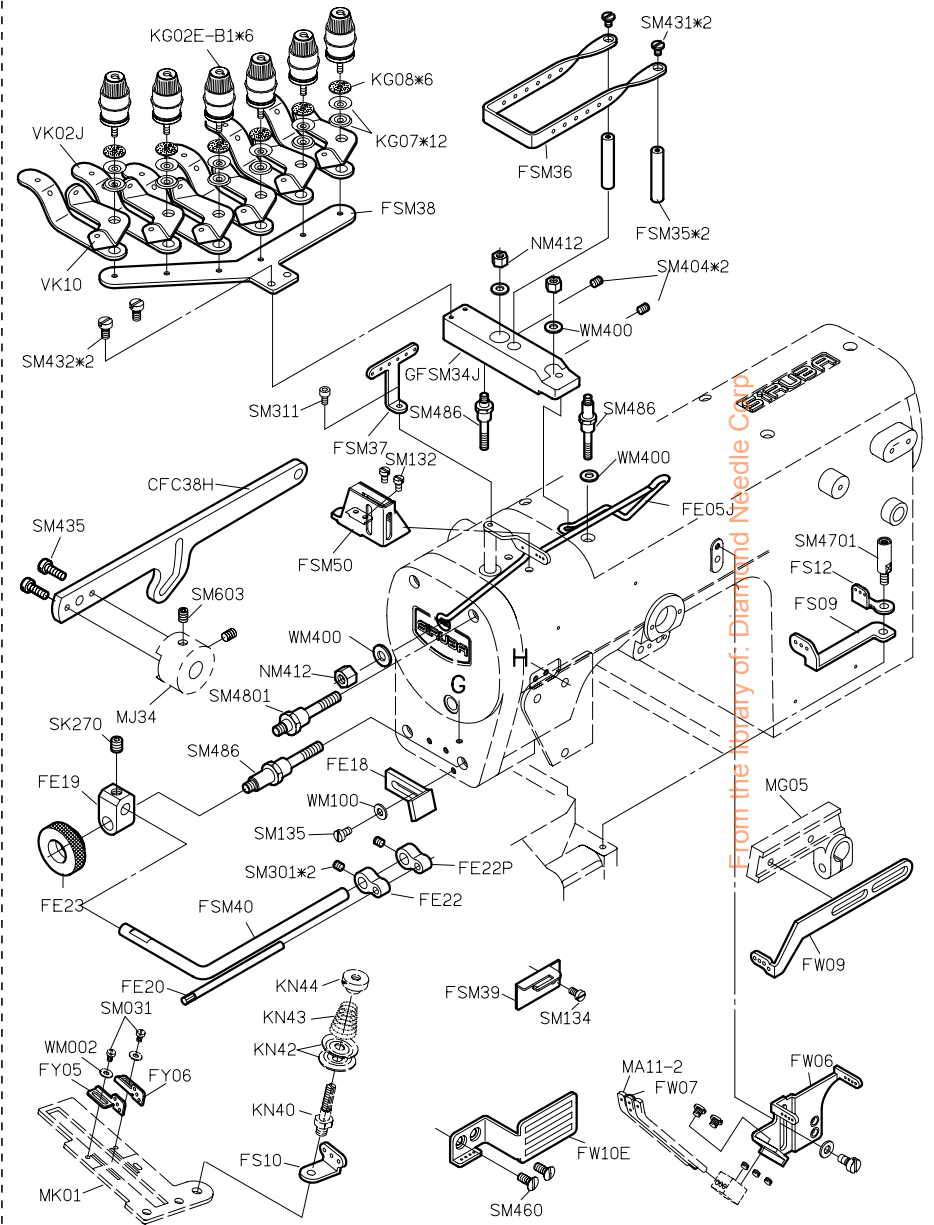
From the library of: Diamond Needle Co.

FOR F007J/F007JD



FOR F007J/F007JD

註：凸輪 FSM220/222 為備品

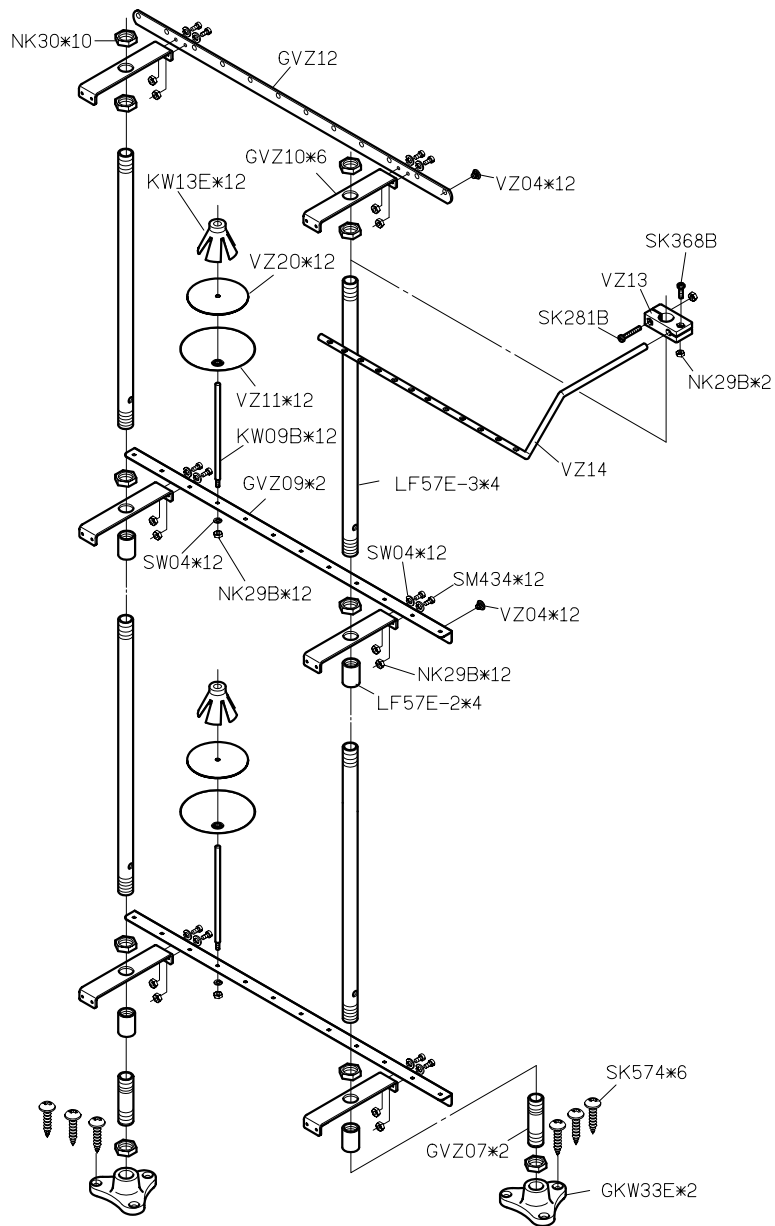


From the library of: Diamond Needle Corp.

FOR F007J/F007JD

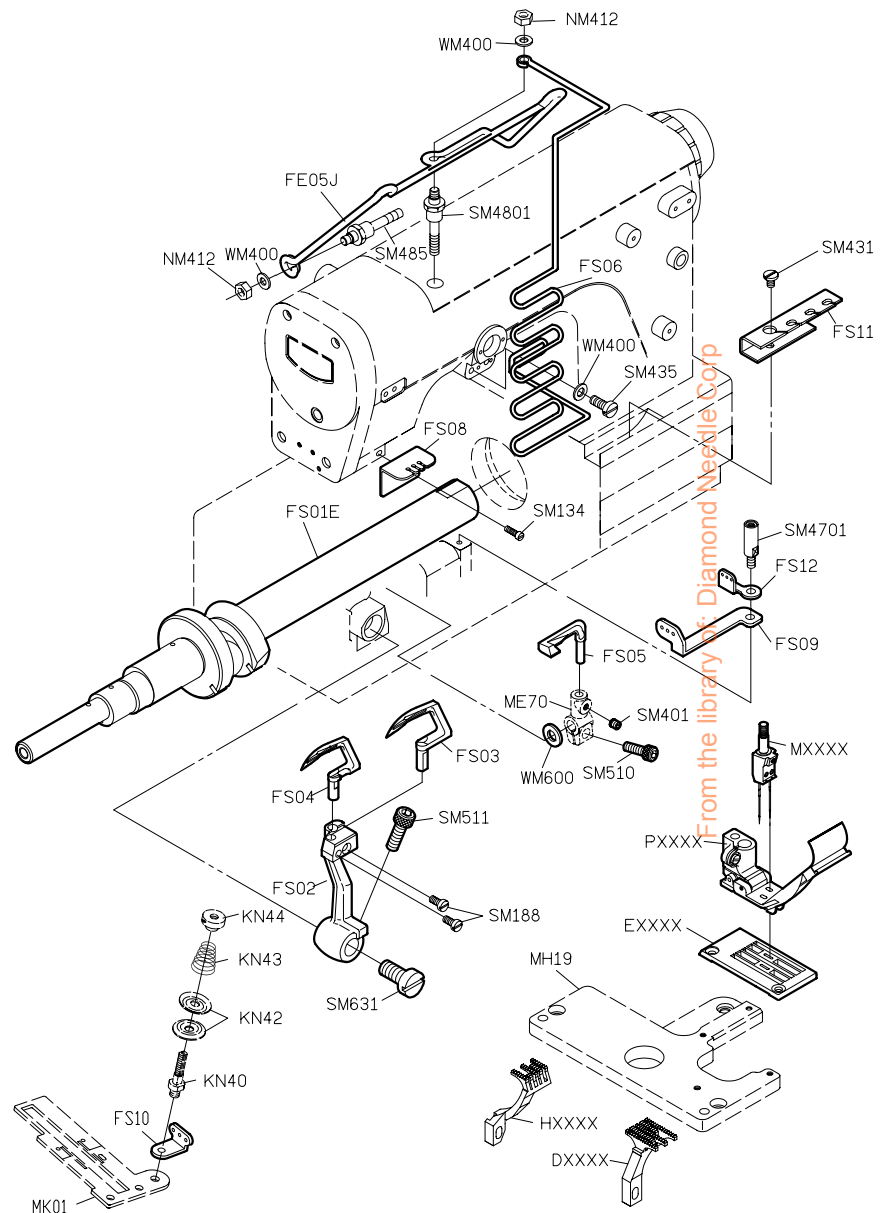
PARTS LIST FOR FSM (2) GROUP

PARTS LIST FOR FSM (3) GROUP



FOR F007J/F007JD

PARTS LIST FOR FSM (6) GROUP

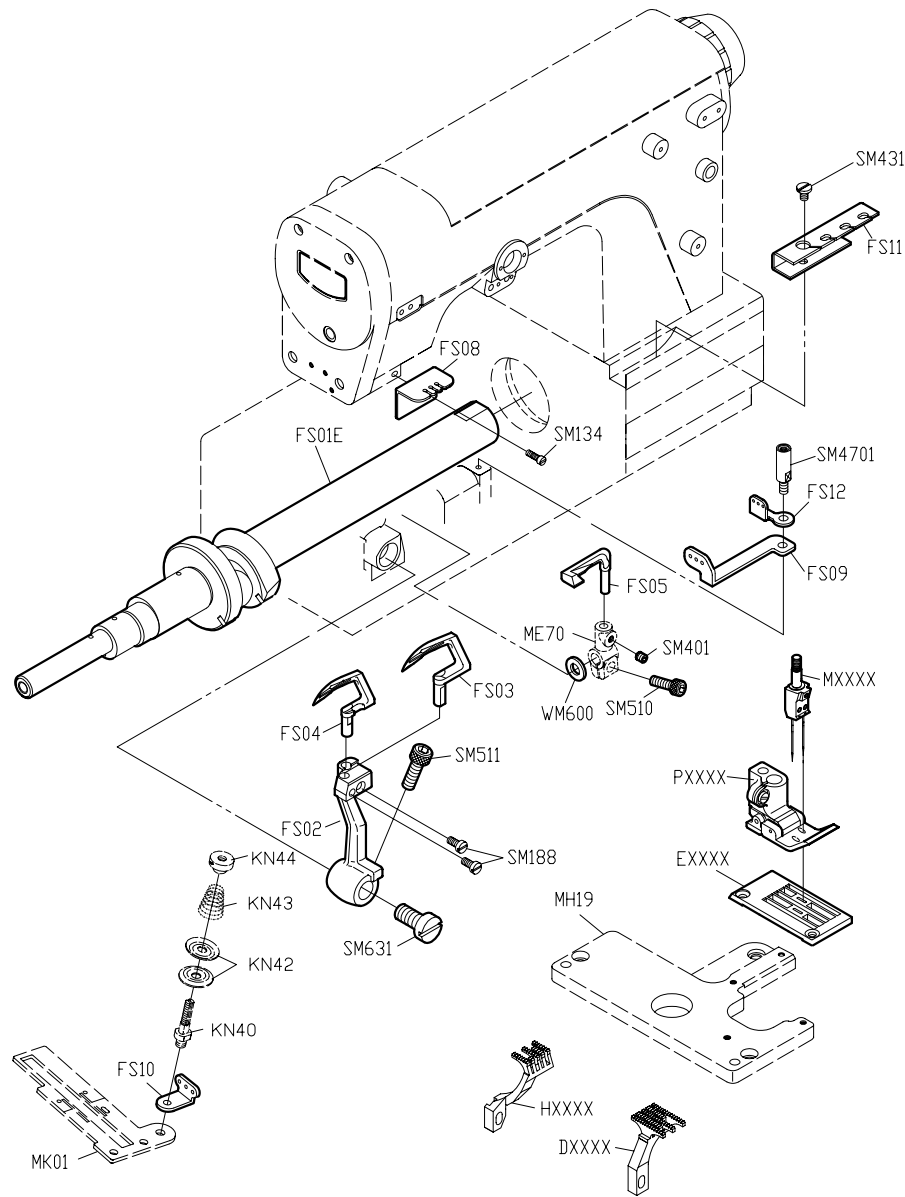


FOR F007J/F007JD

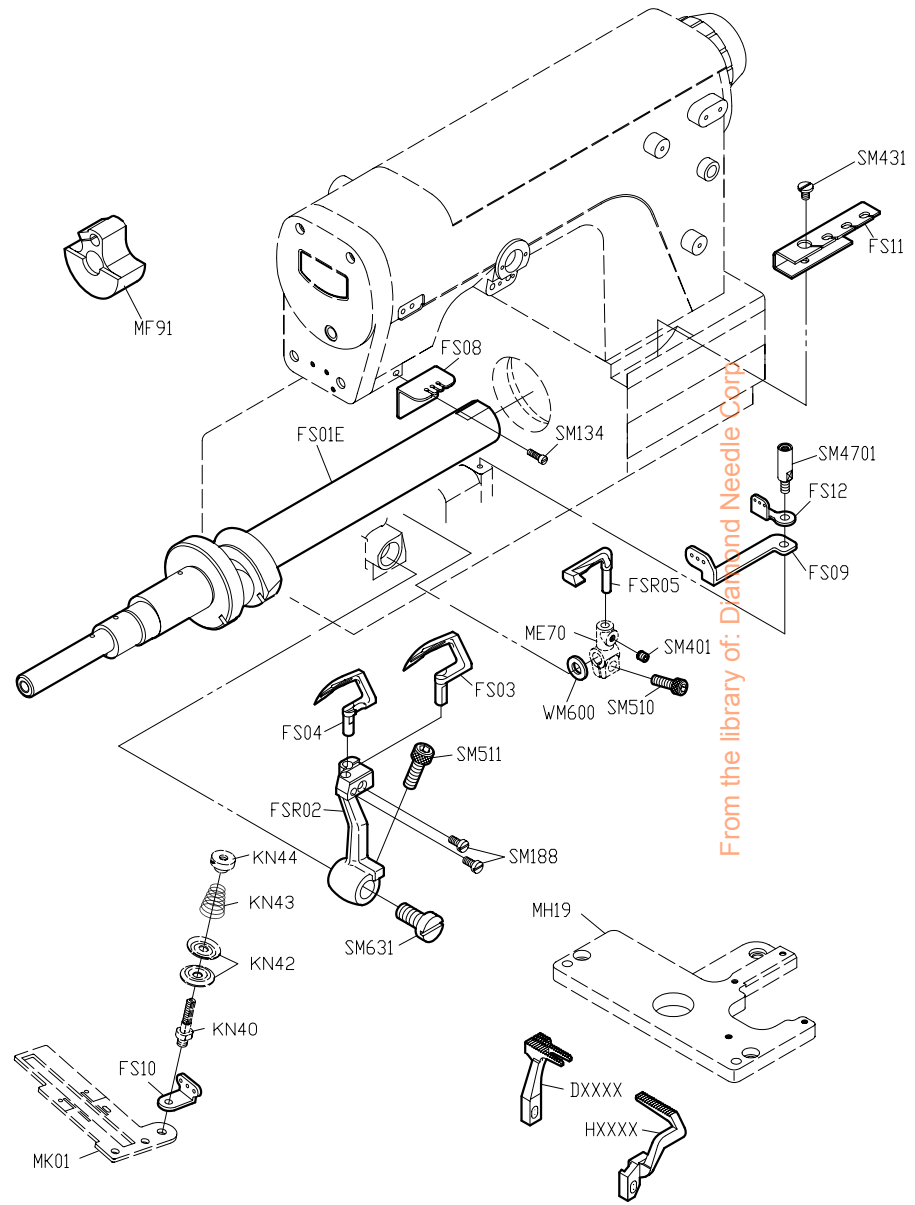
PARTS LIST FOR FSP GROUP

PARTS LIST FOR FSQ GROUP

PARTS LIST FOR FSR (1) GROUP

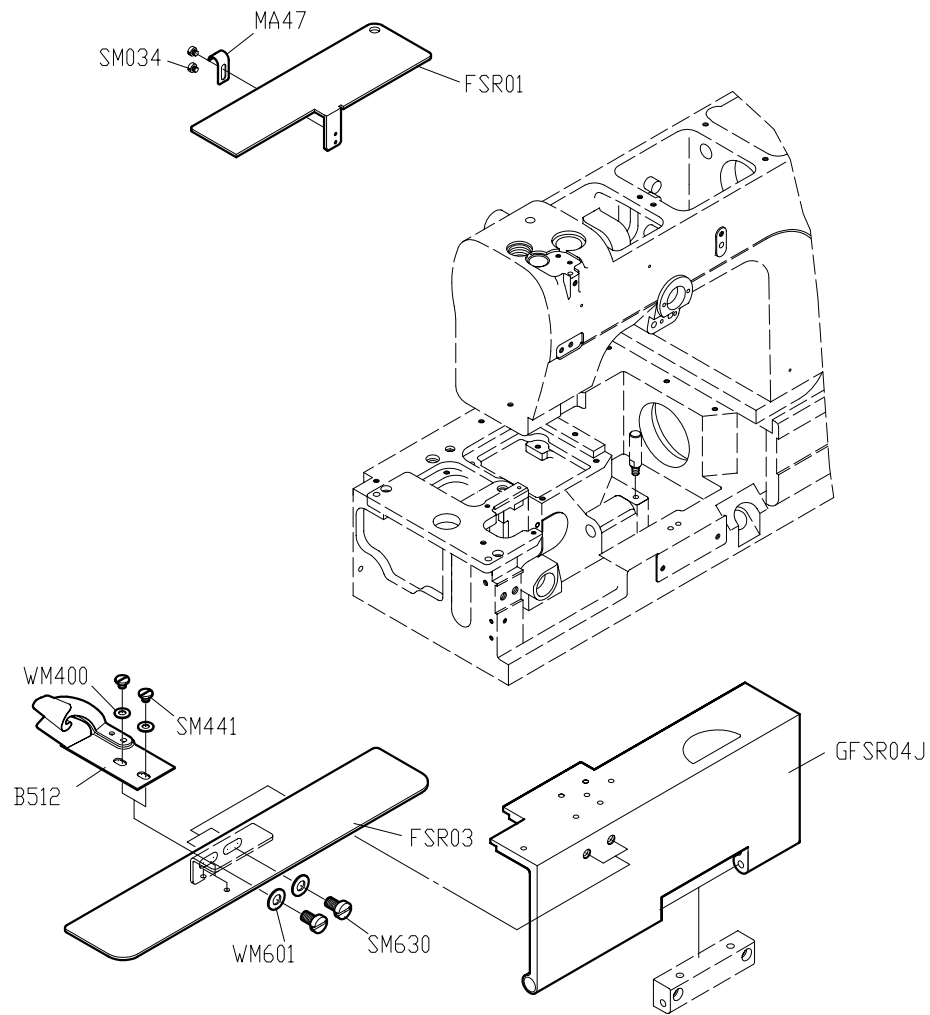


FOR F007J/F007JD

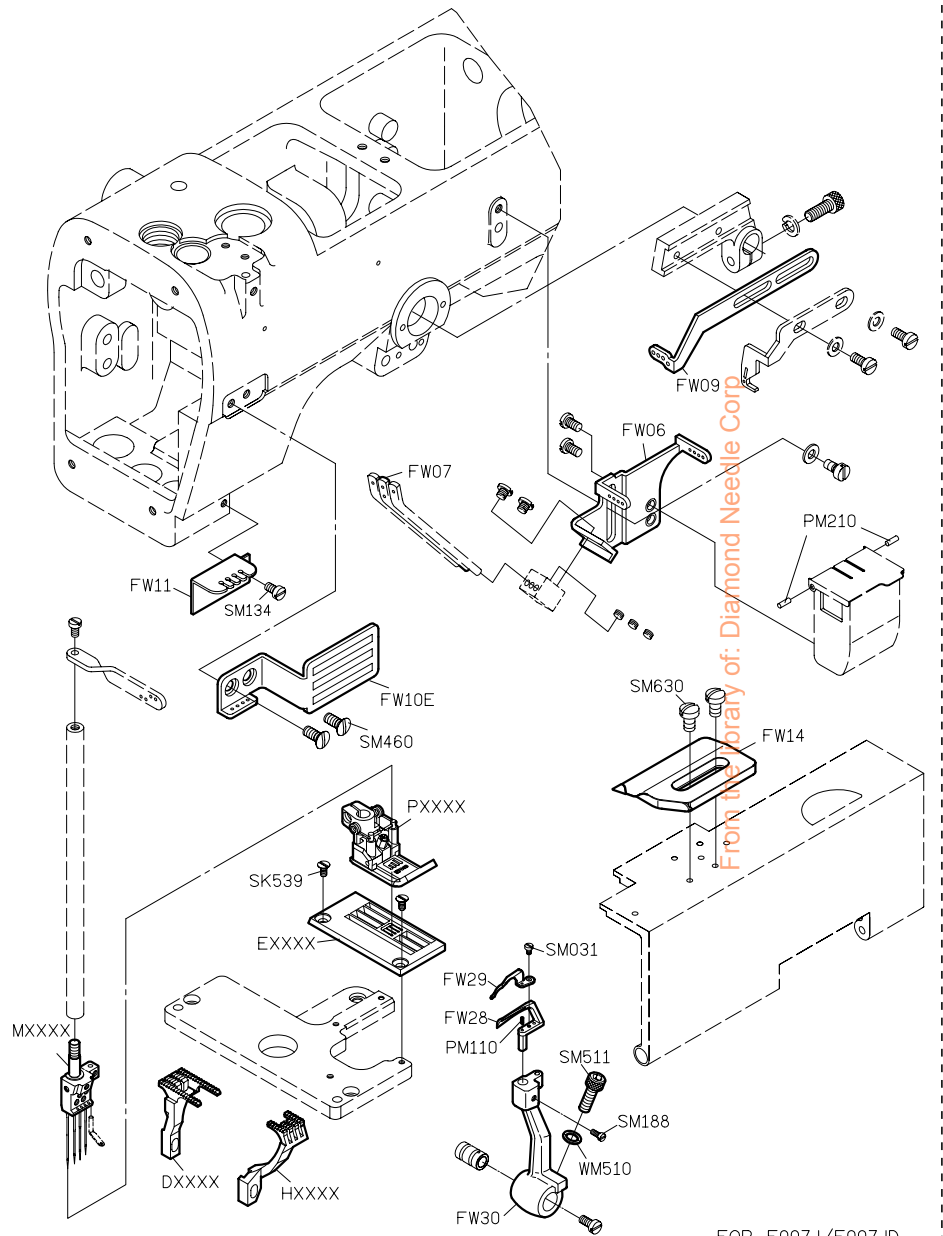


FOR F007J/F007JD

From the library of: Diamond Needle Corp.



FOR F007J/F007JD

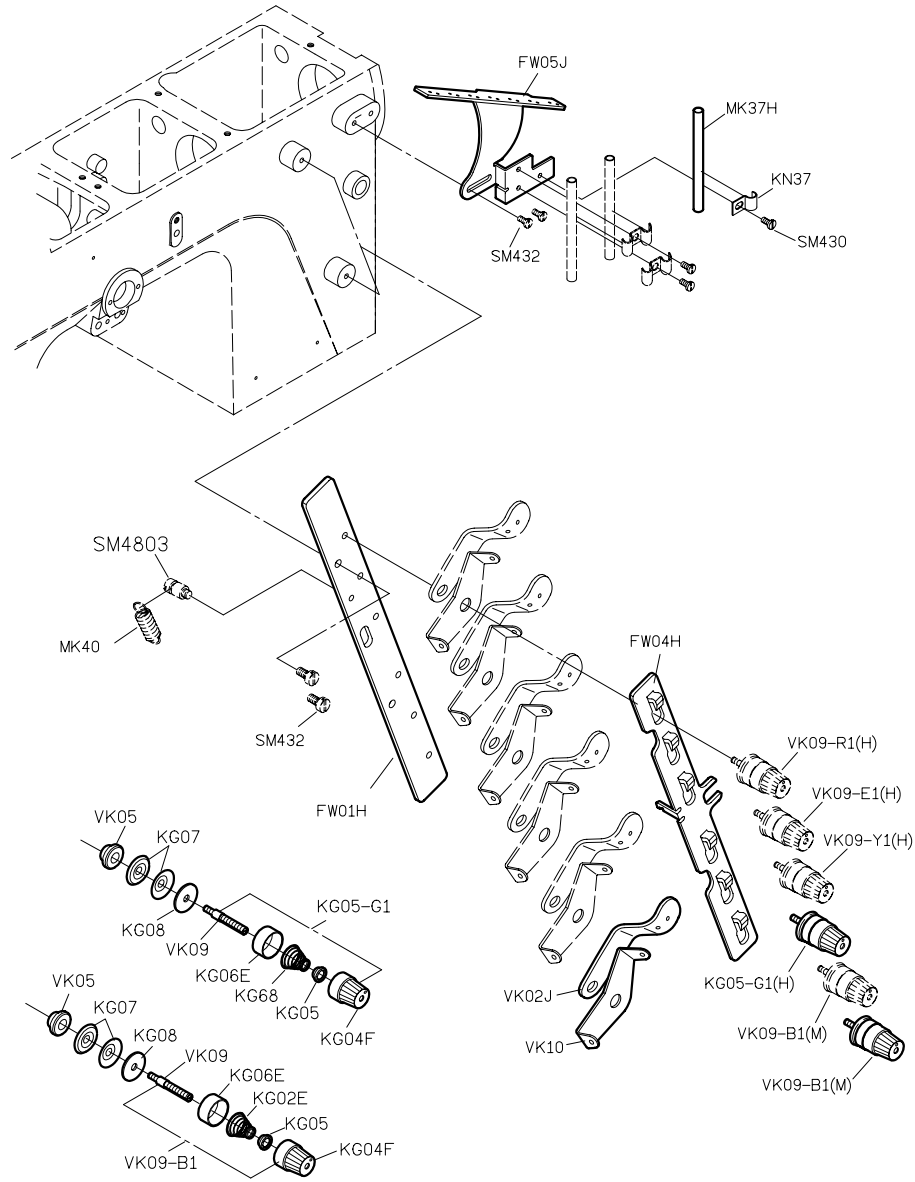


FOR F007J/F007JD

PARTS LIST FOR FSR (2) GROUP

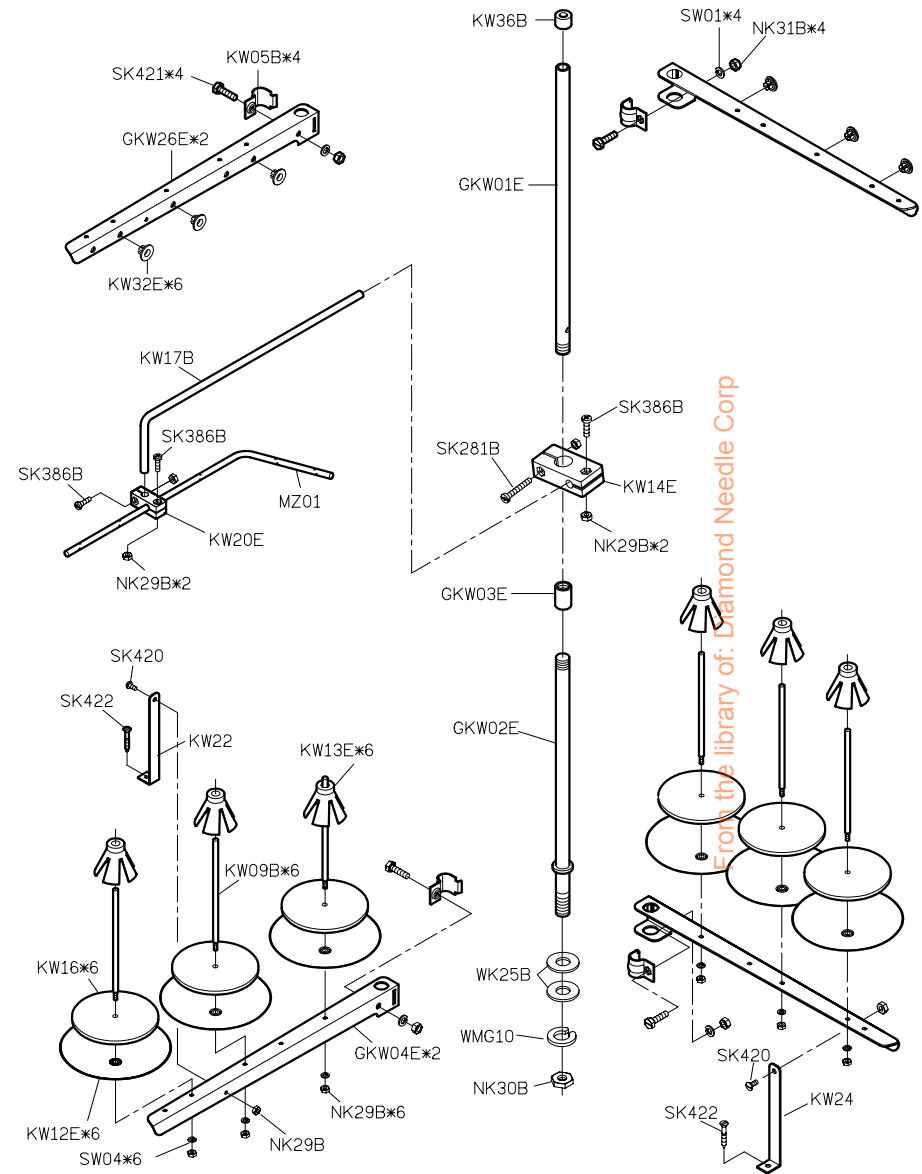
PARTS LIST FOR FW (1) GROUP

PARTS LIST FOR FW (2) GROUP



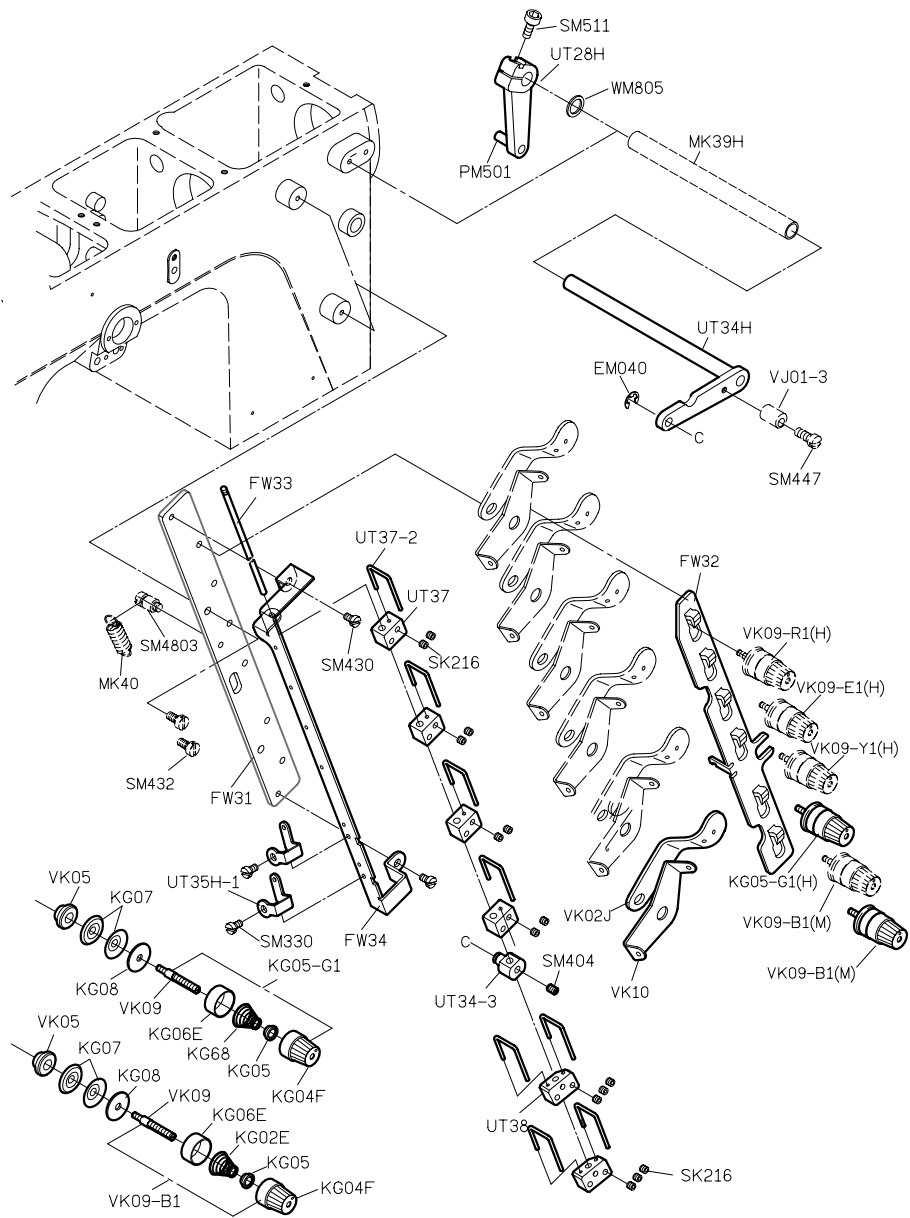
FOR F007J/F007JD/C007J/C007JD/S007J/S007JD

PARTS LIST FOR FW (3) GROUP

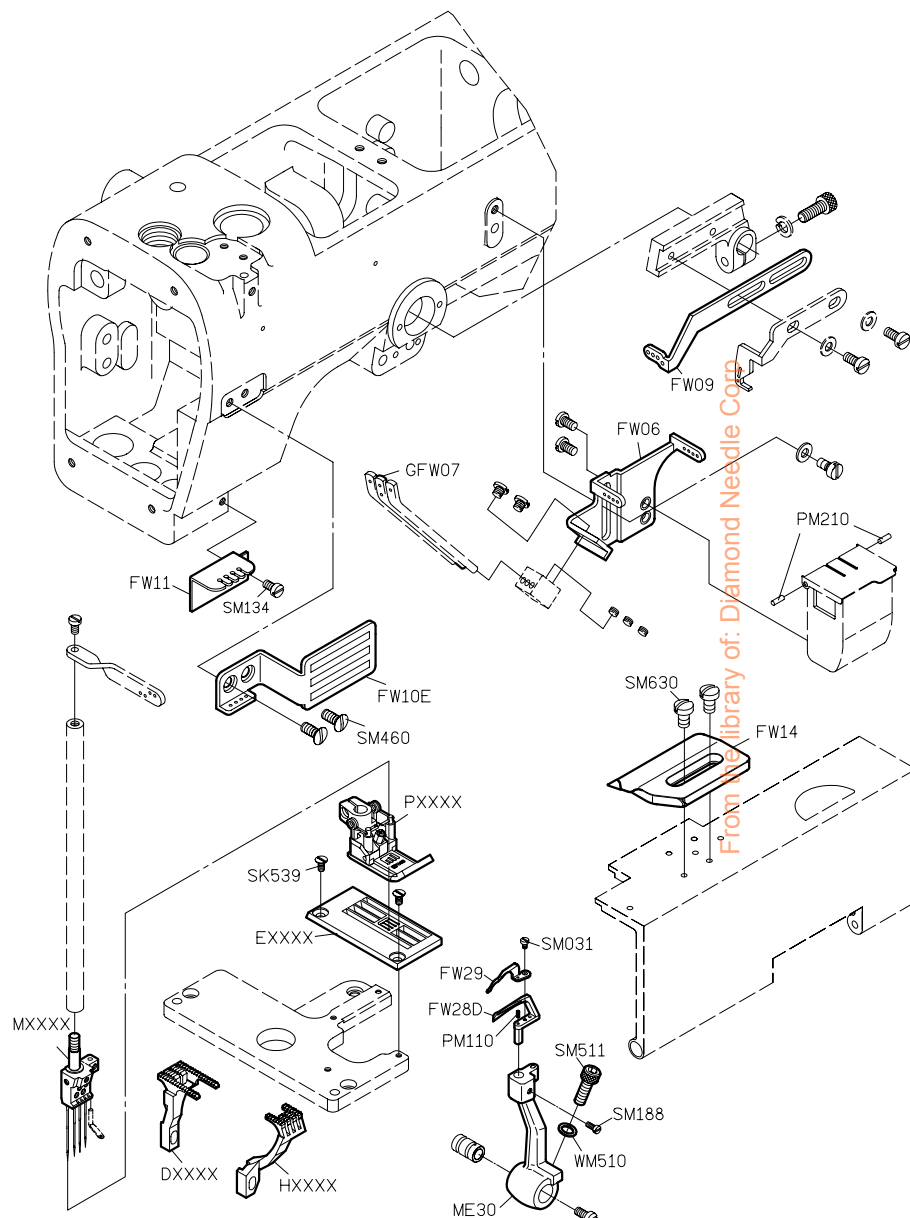


FOR F007J/F007JD/C007J/C007JD/S007J/S007JD

From this library of: Diamond Needle Corp



FOR CW-UT/FW-UT



From the library of: Diamond Needle Corp.

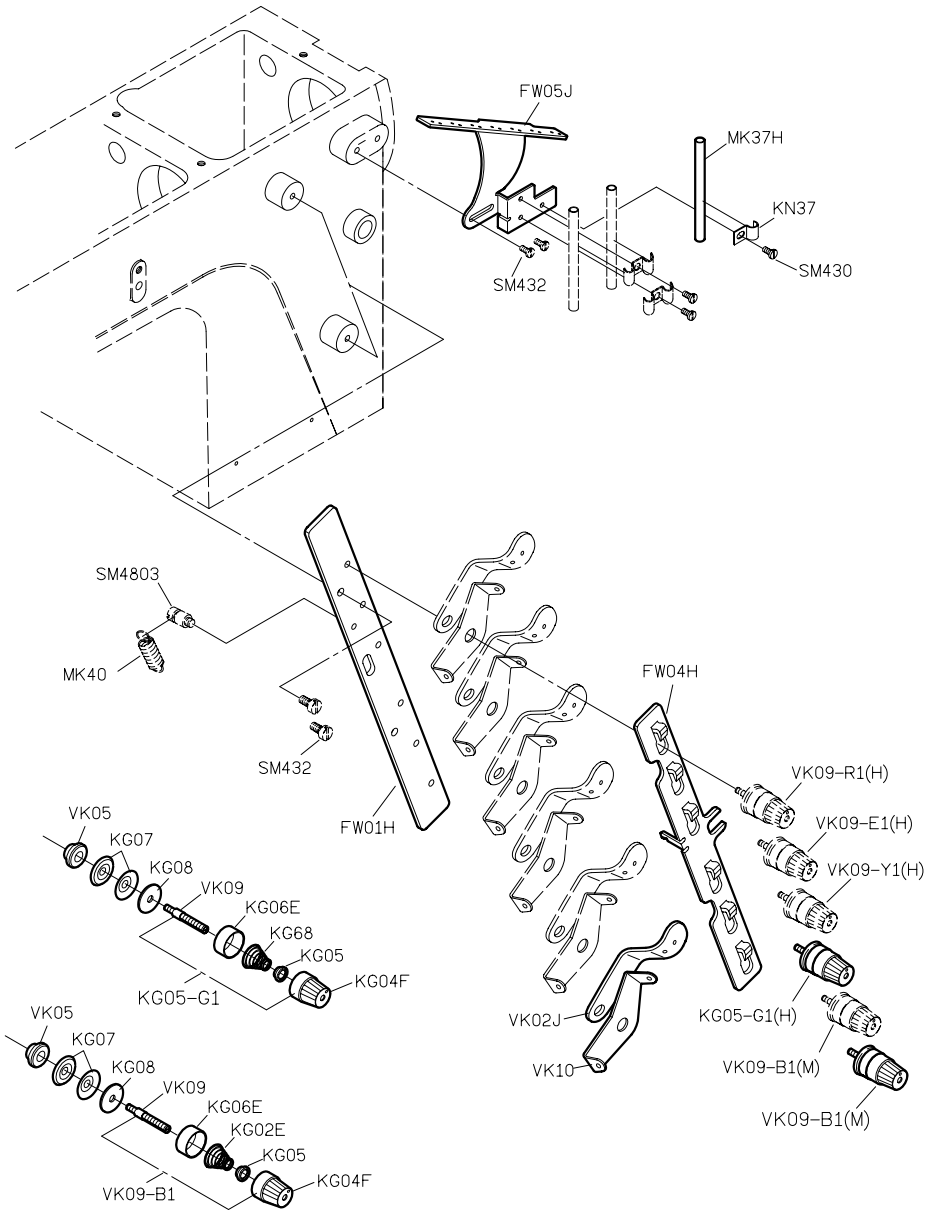
FOR F007J/F007JD

PARTS LIST FOR FW (4) GROUP

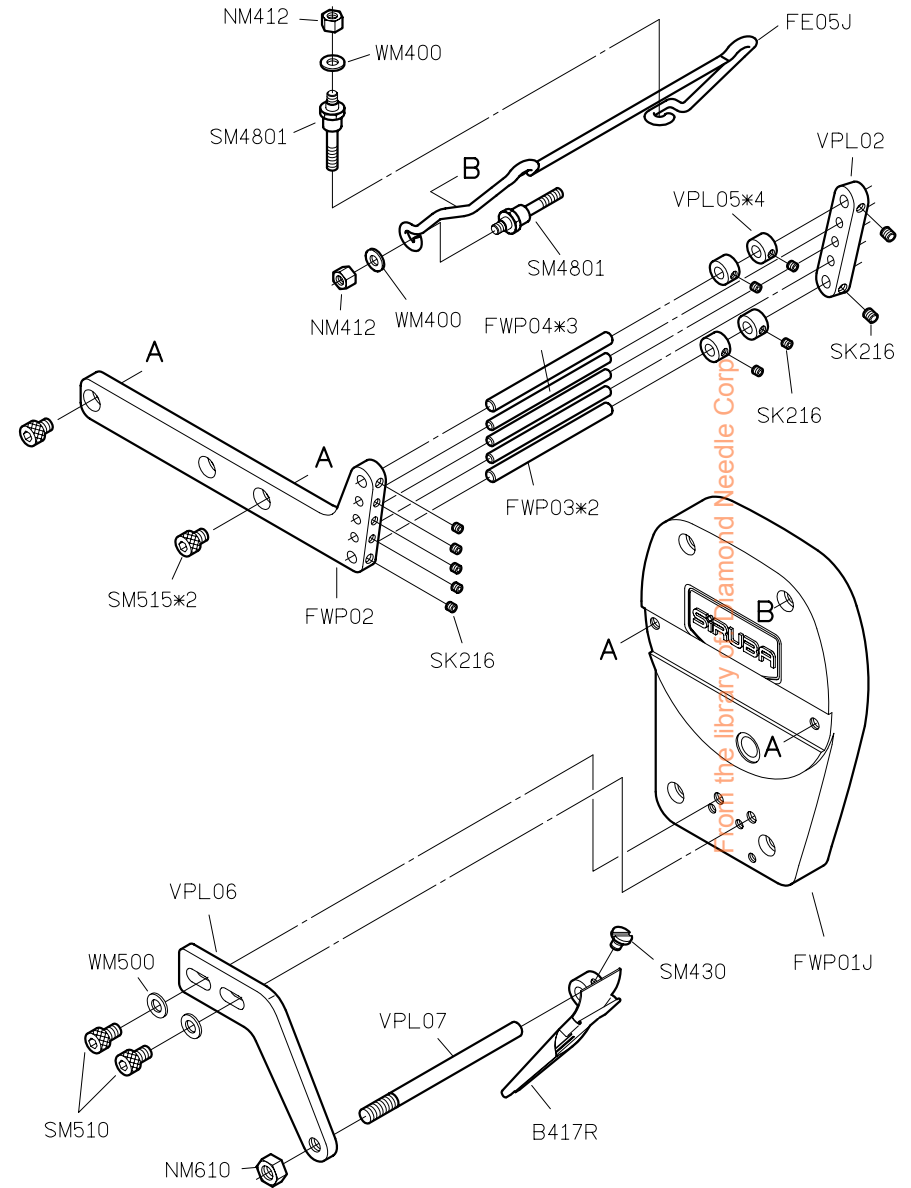
PARTS LIST FOR FWP (1) GROUP

PARTS LIST FOR FWP (2) GROUP

PARTS LIST FOR FWP (3) GROUP

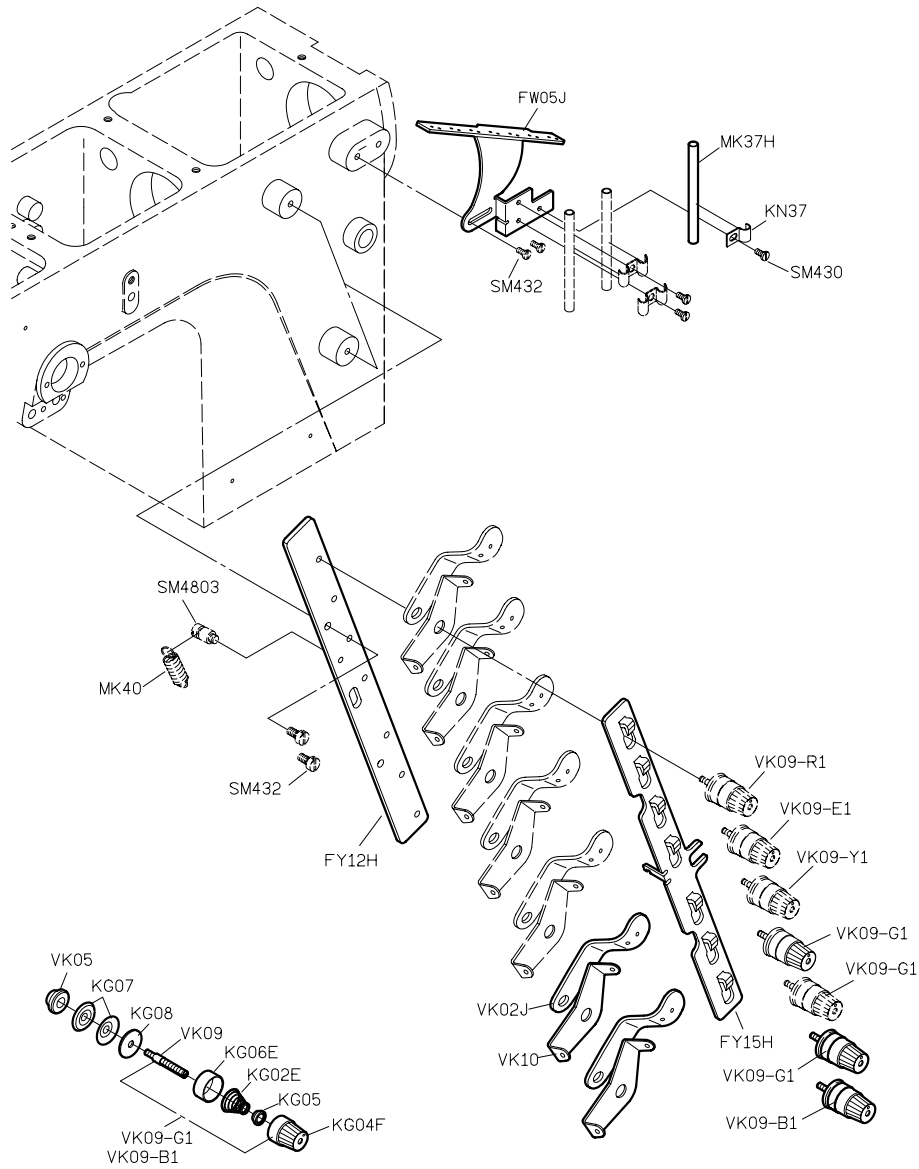


FOR F007J/F007JD



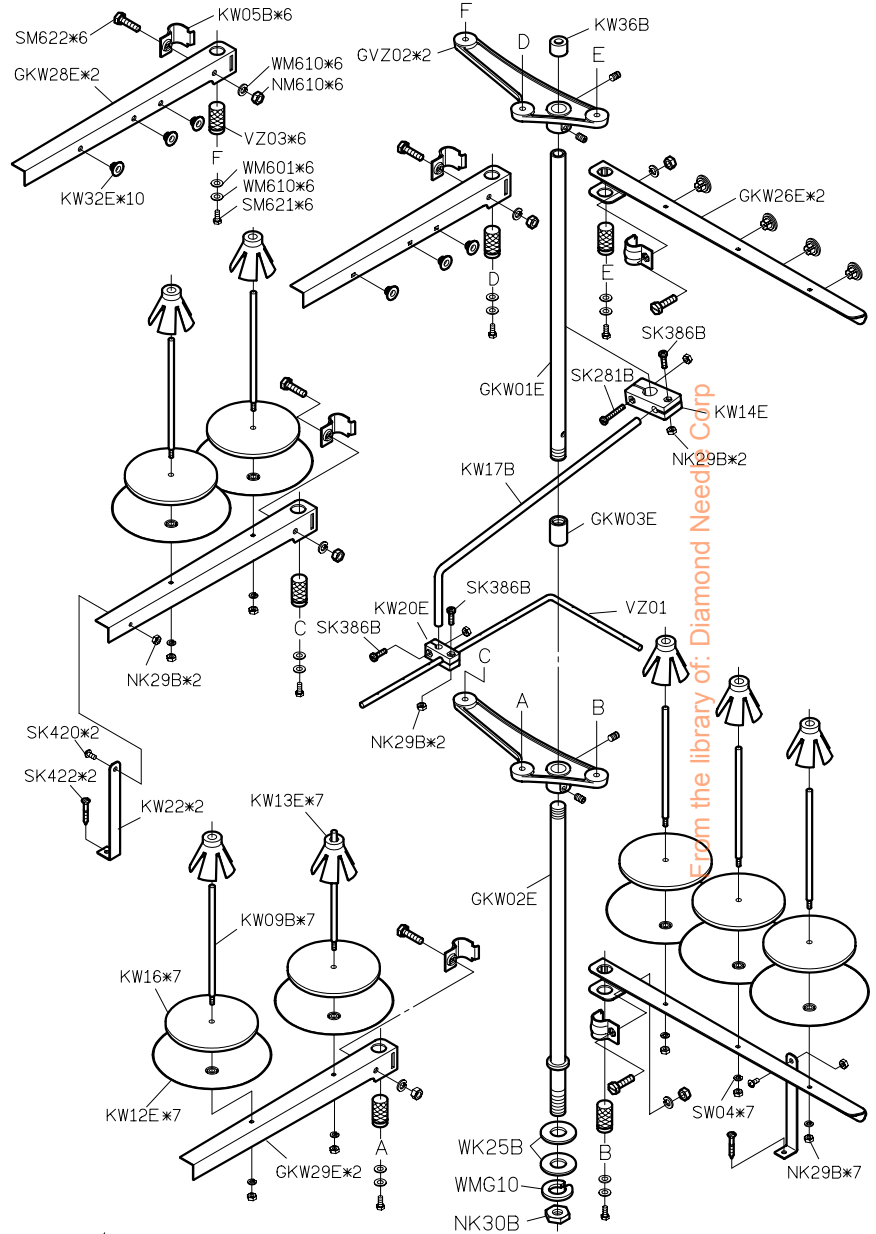
FOR F007J/F007JD

PARTS LIST FOR FY (2) GROUP



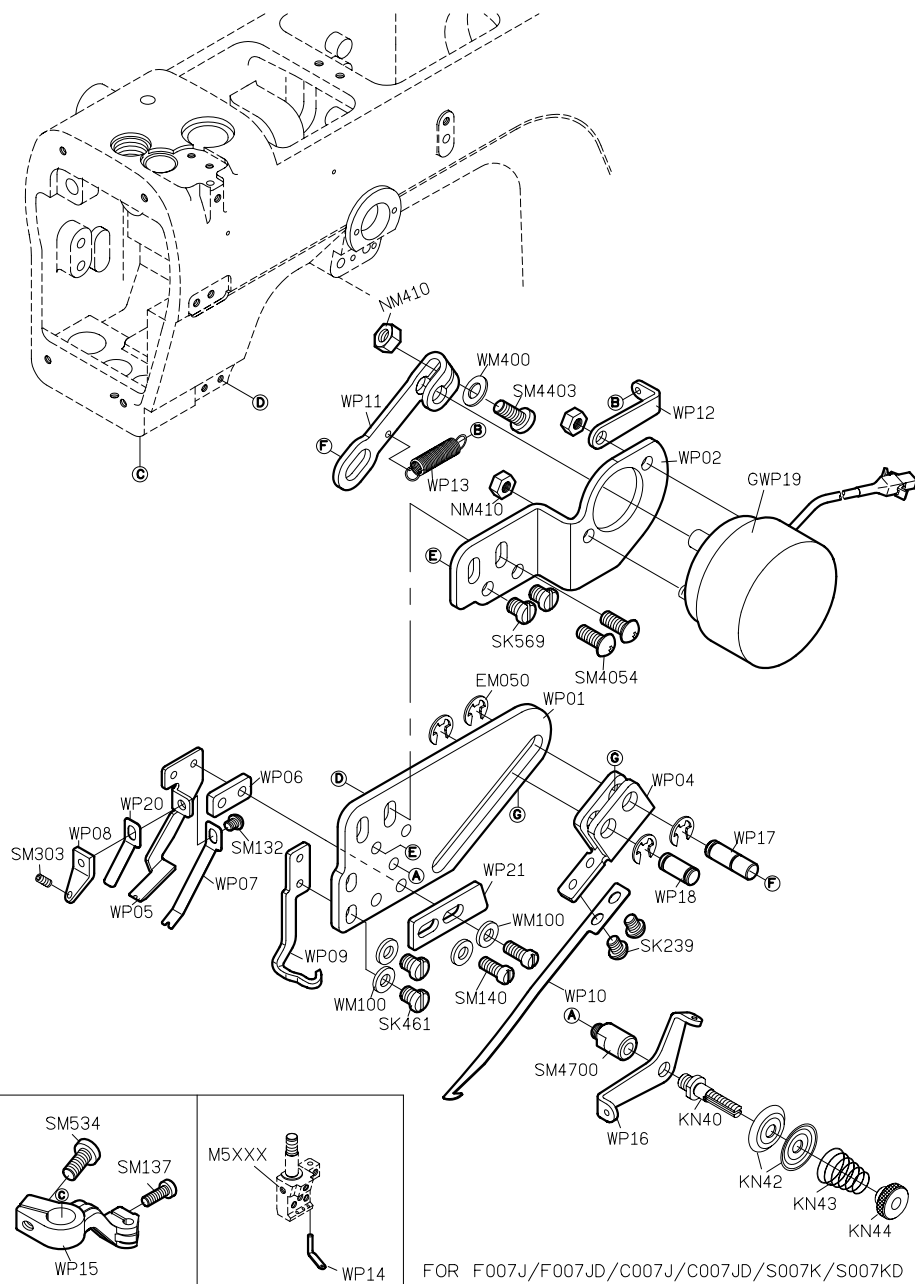
FOR F007J/F007JD

PARTS LIST FOR FY (3) GROUP

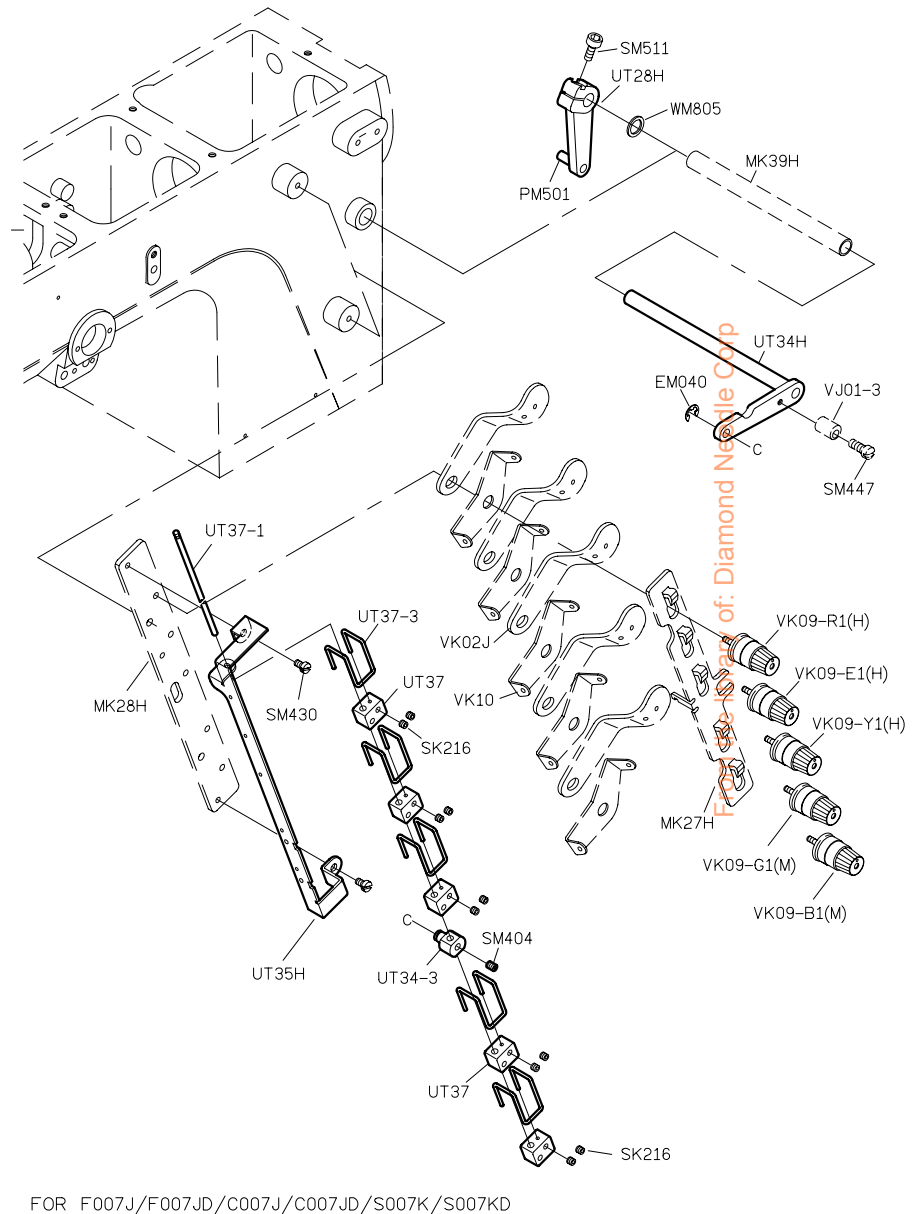


FOR F007J/F007JD

From the library of: Diamond Need Corp



PARTS LIST FOR WP (1) GROUP



PARTS LIST FOR WP (2) GROUP



F007J/JD ATTACHMENT

高林股份有限公司 KAULIN MFG. CO., LTD. From the library of: Diamond

The specification and/or appearances of the equipment described in this parts list are subject to change because of modification without previous notice.

MY137. MAR. 2007